

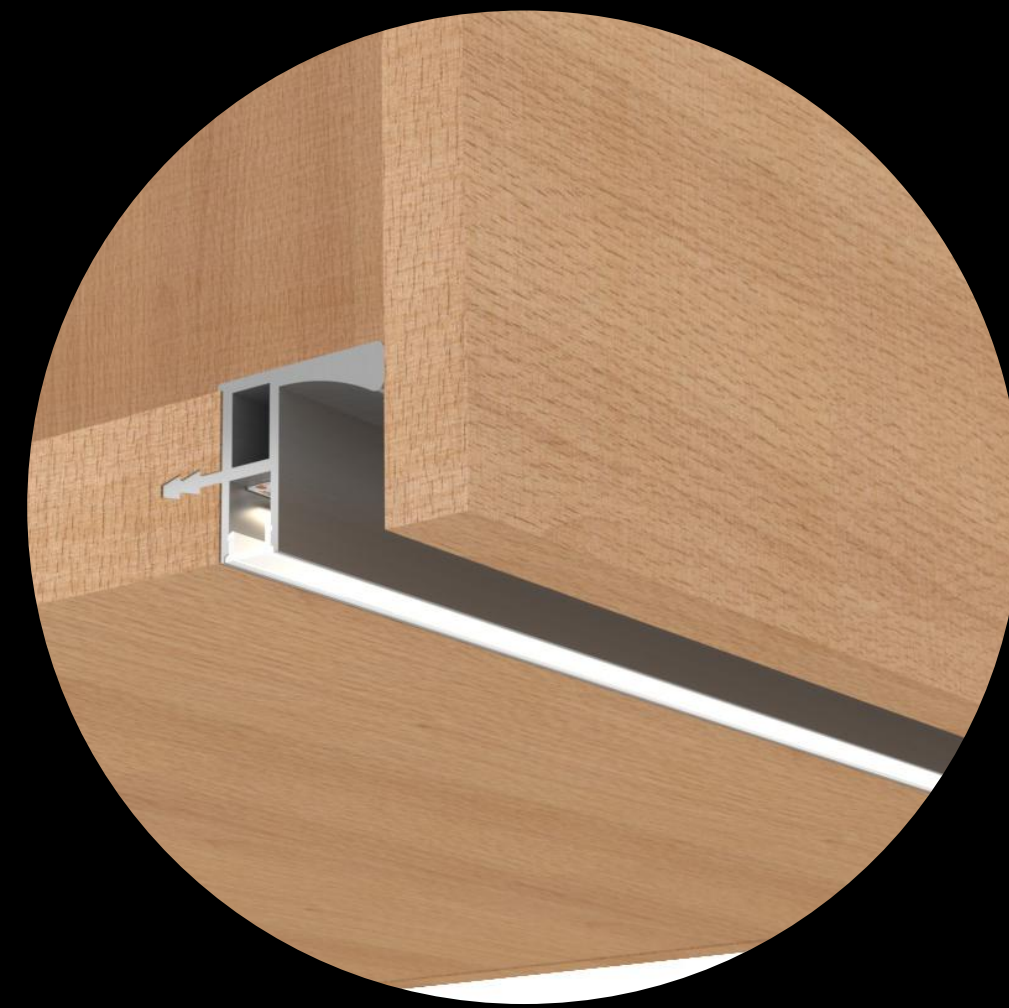
**LED**FLEX | **PREMIUM LINEAR**  
LIGHTING SOLUTIONS

# JOINERY RANGE

## MOUNTING OPTIONS



SHELF MOUNTING



HANDLE-FREE CABINET MOUNTING



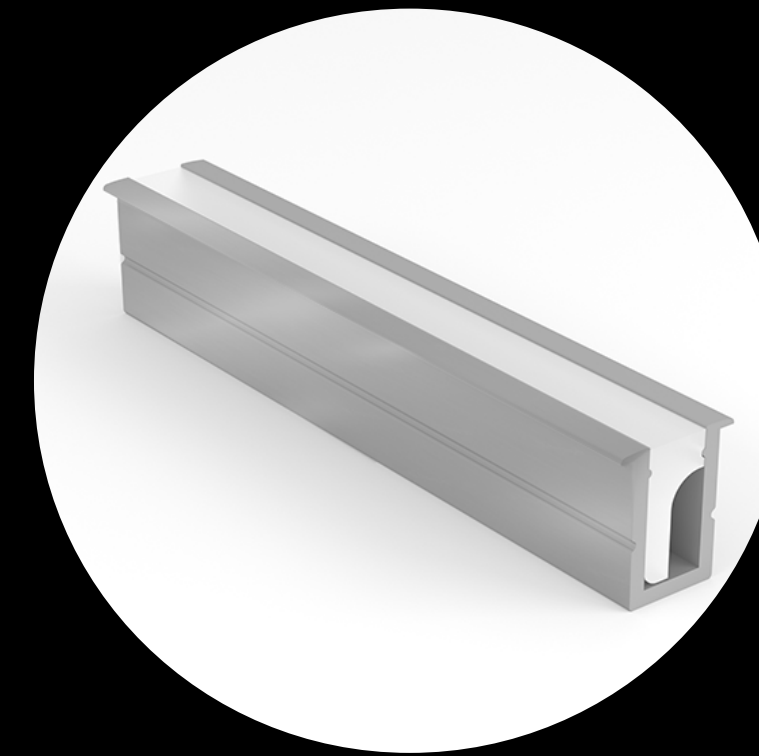
SKIRT MOUNTING

# JOINERY RANGE

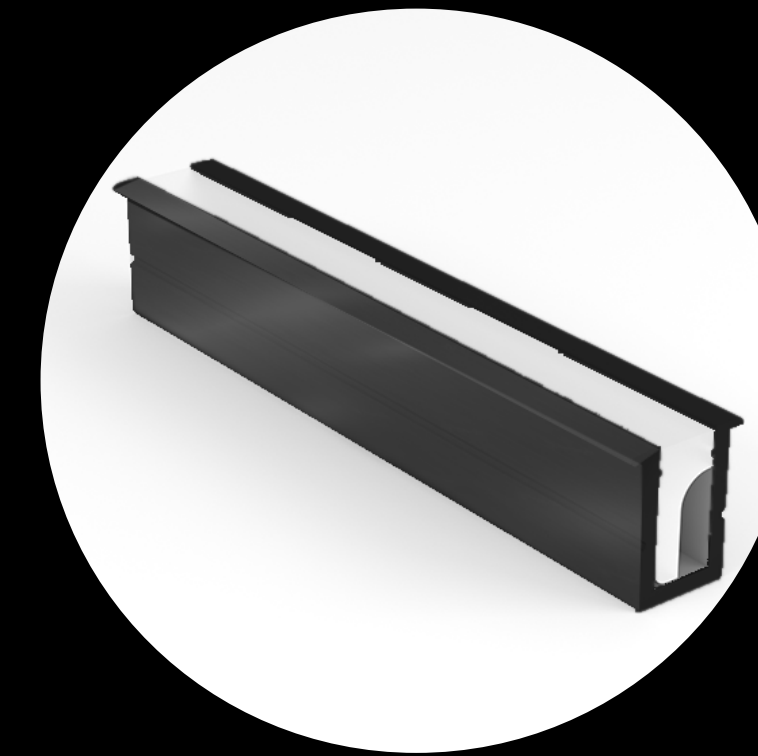
## FINISH OPTIONS



WHITE



NICKEL



BLACK



ASH GOLD



SATIN GOLD



ANTIQUÉ BRASS



SMOKED BRONZE

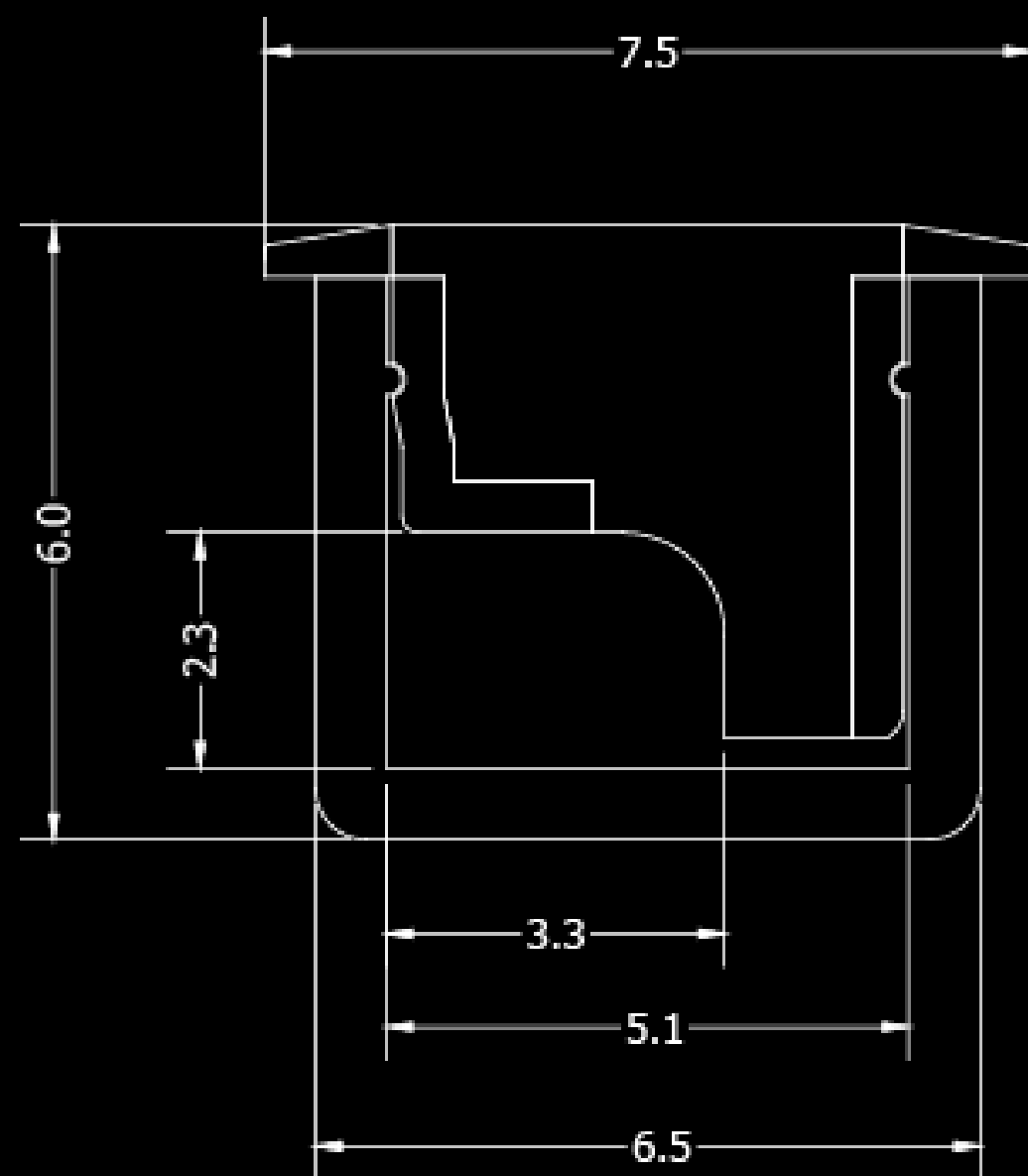


# JOINERY RANGE

SHELF MOUNTING: RECESSED  
**JPF010**

APPLICATION:

Horizontal/vertical cupboard and cabinet shelves

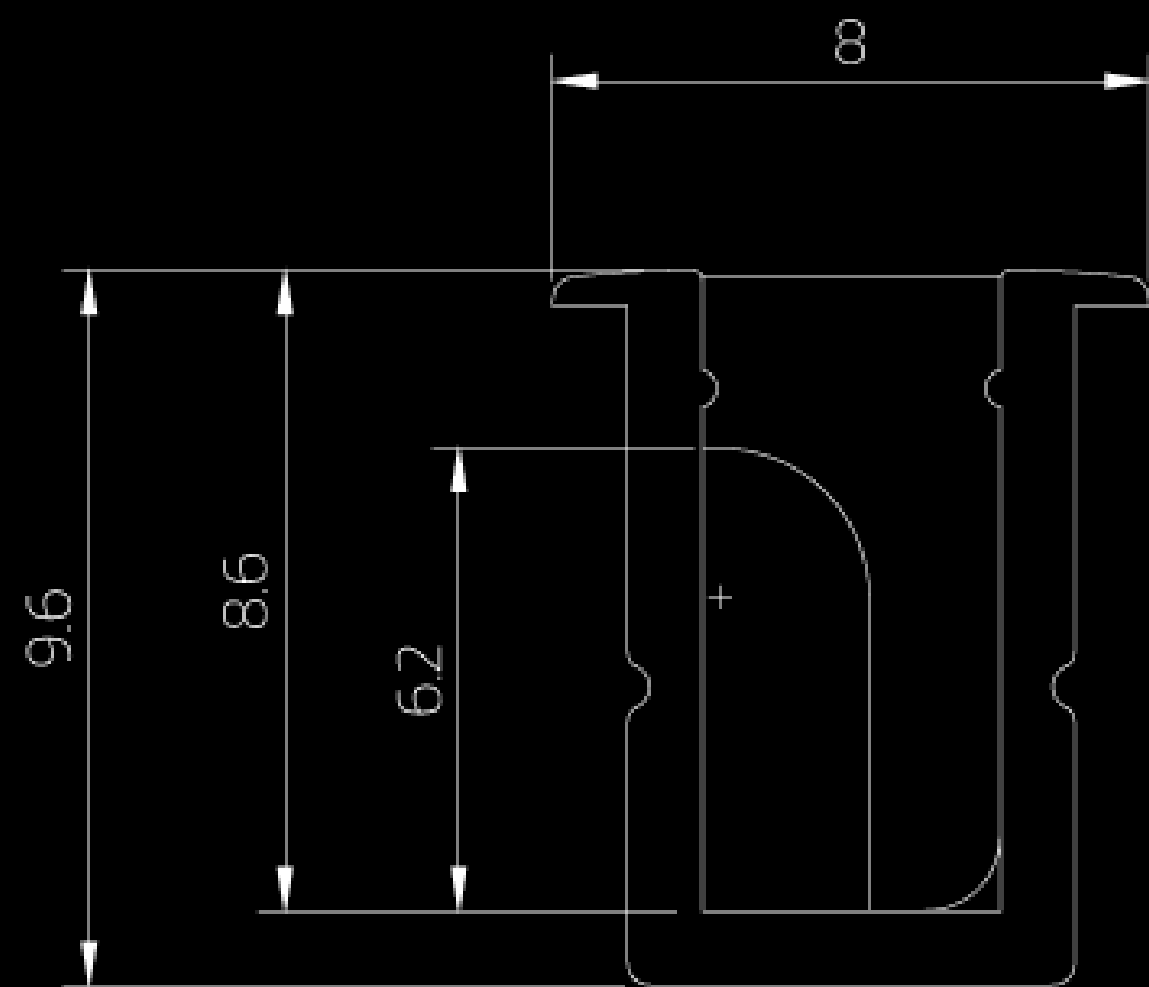


# JOINERY RANGE

SHELF MOUNTING: RECESSED  
**JPF001**

APPLICATION:

Horizontal/vertical cupboard and cabinet shelves

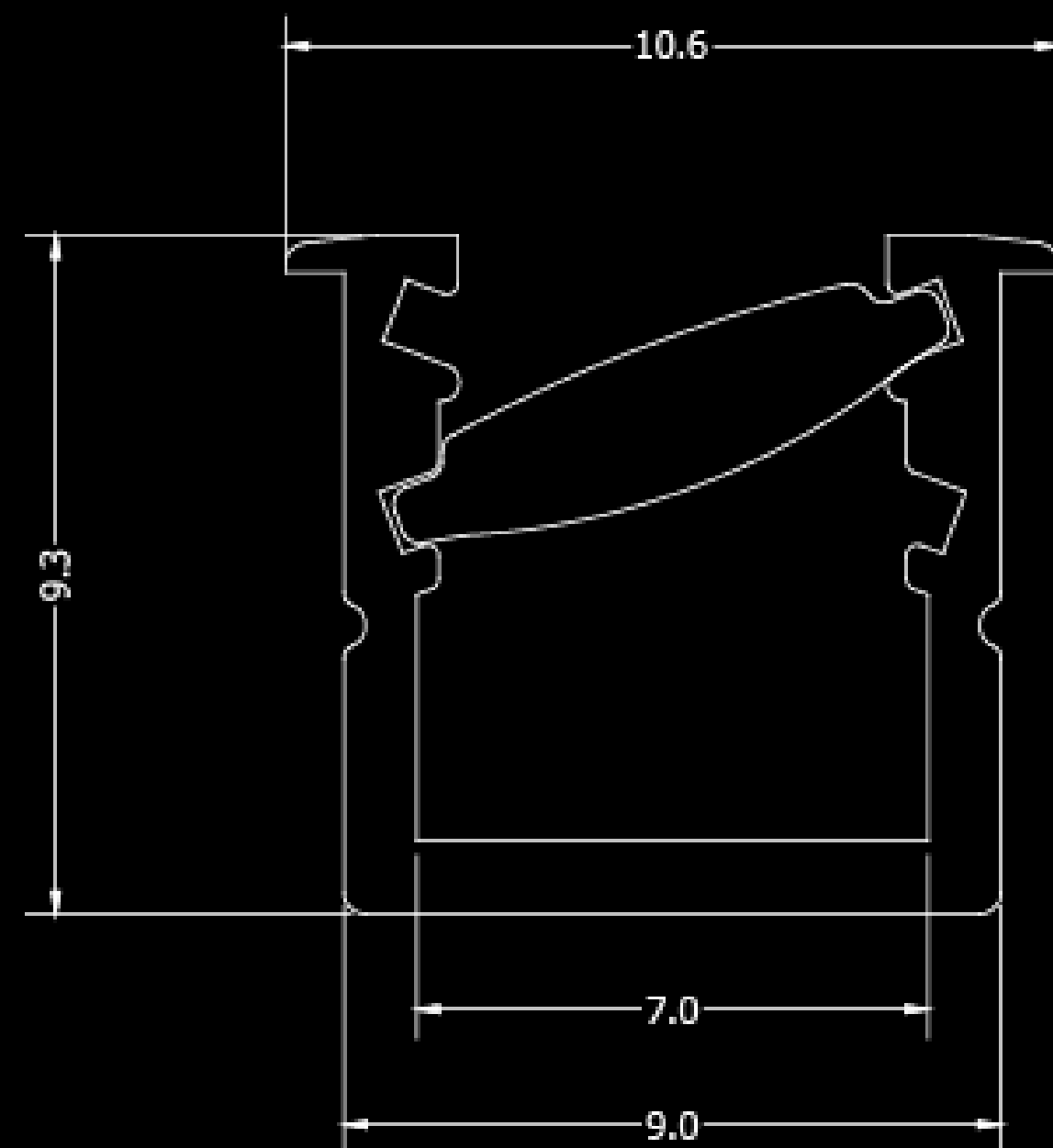


# JOINERY RANGE

SHELF MOUNTING: RECESSED  
**JPF002**

APPLICATION:

Horizontal/vertical cupboard and cabinet shelves



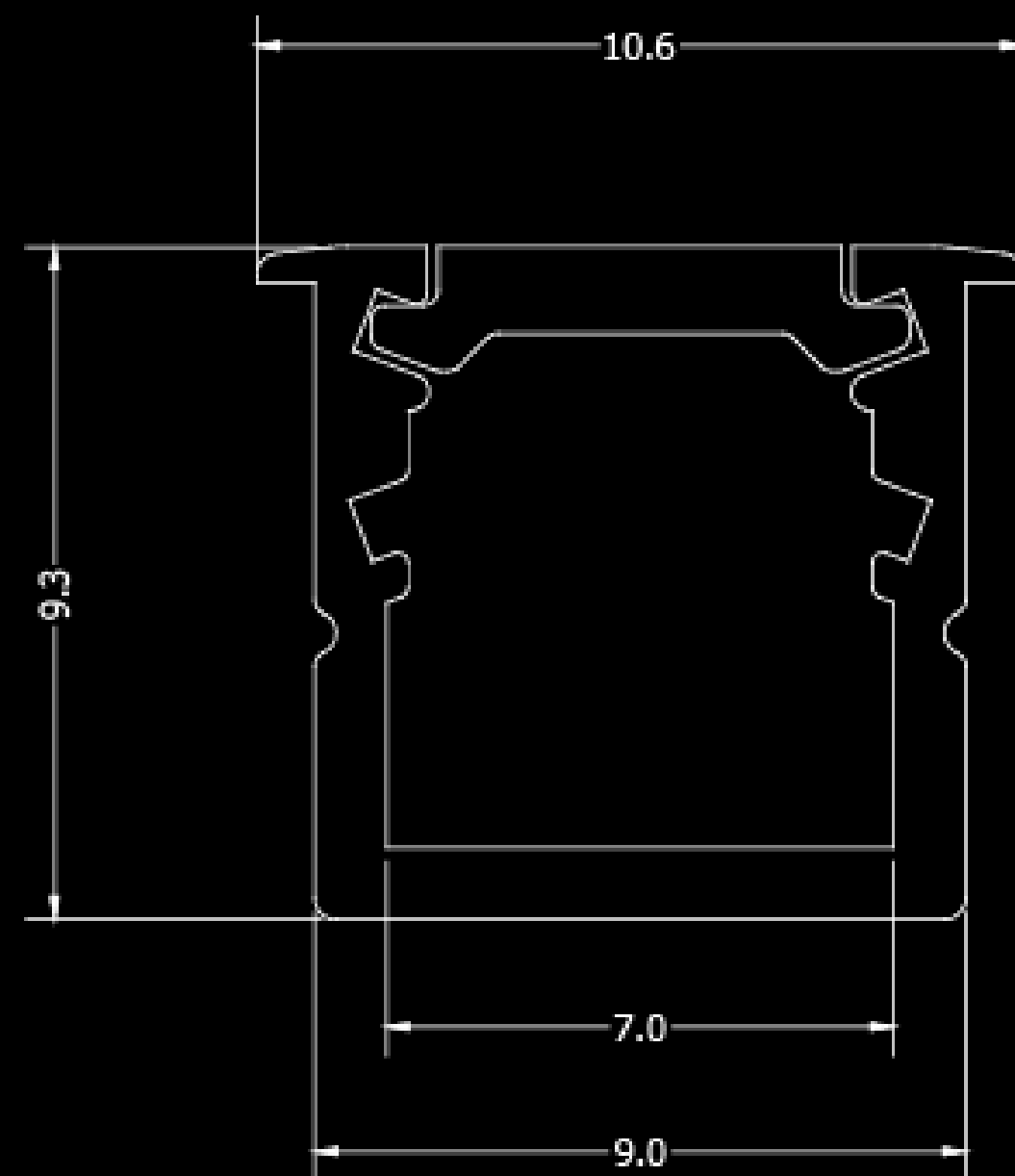


## JOINERY RANGE

SHELF MOUNTING: RECESSED  
JPF003

APPLICATION:

Horizontal/vertical cupboard and cabinet shelves

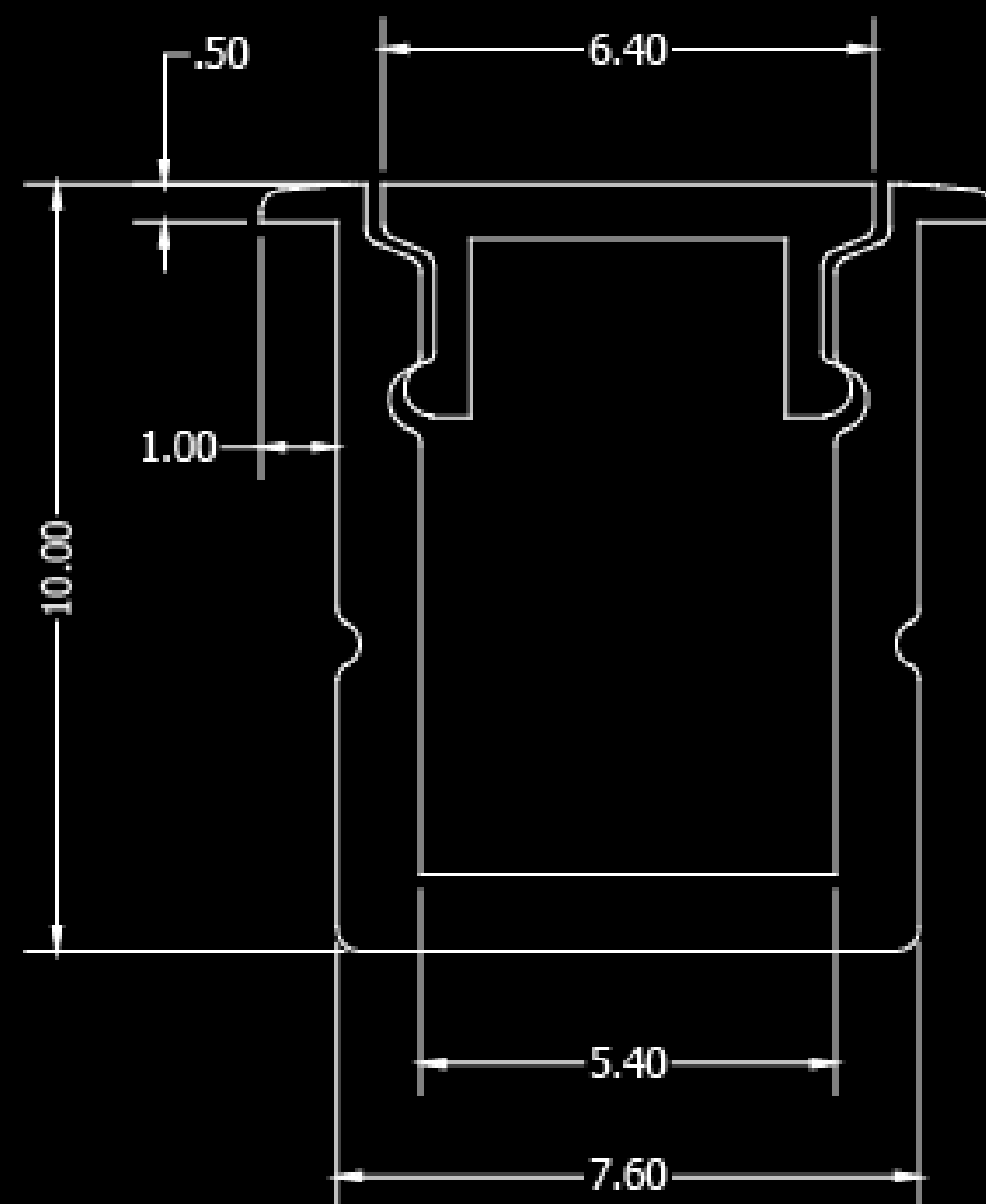


# JOINERY RANGE

SHELF MOUNTING: RECESSED  
**JPF004**

APPLICATION:

Horizontal/vertical cupboard and cabinet shelves



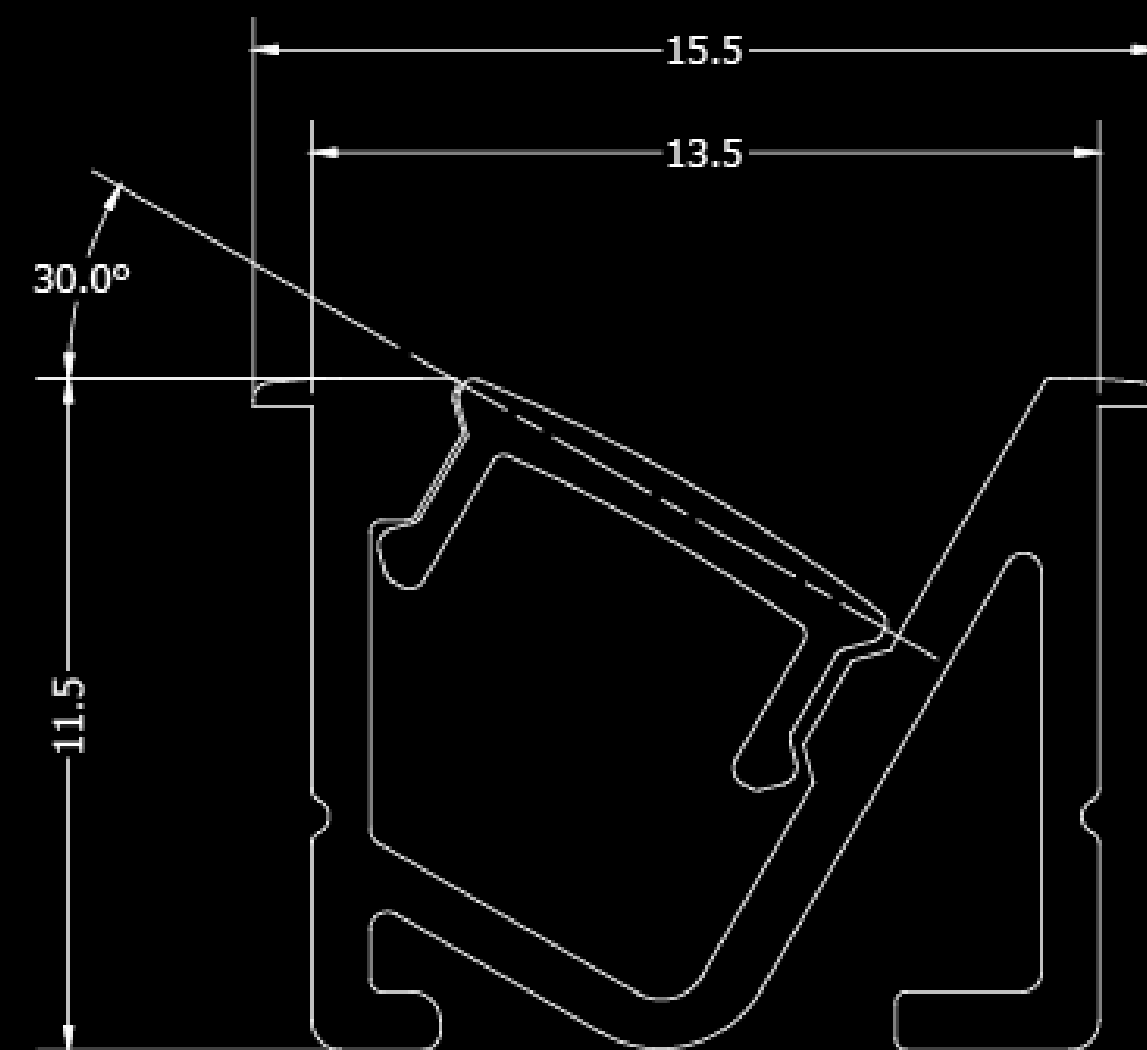


# JOINERY RANGE

SHELF MOUNTING: RECESSED  
**JPF005**

APPLICATION:

Horizontal/vertical cupboard and cabinet shelves

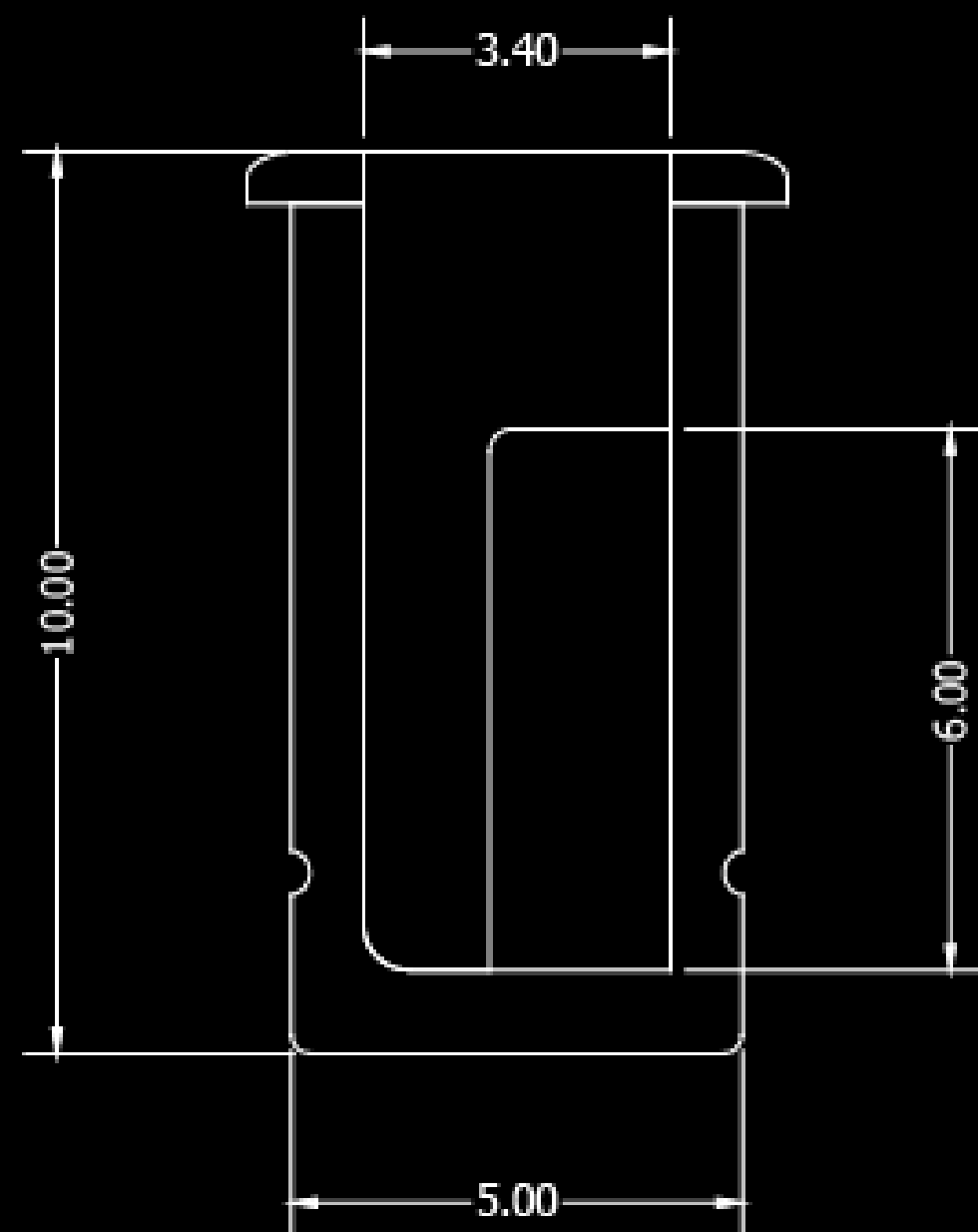


# JOINERY RANGE

SHELF MOUNTING: RECESSED  
**JN-27-0001**

APPLICATION:

Horizontal/vertical cupboard and cabinet shelves

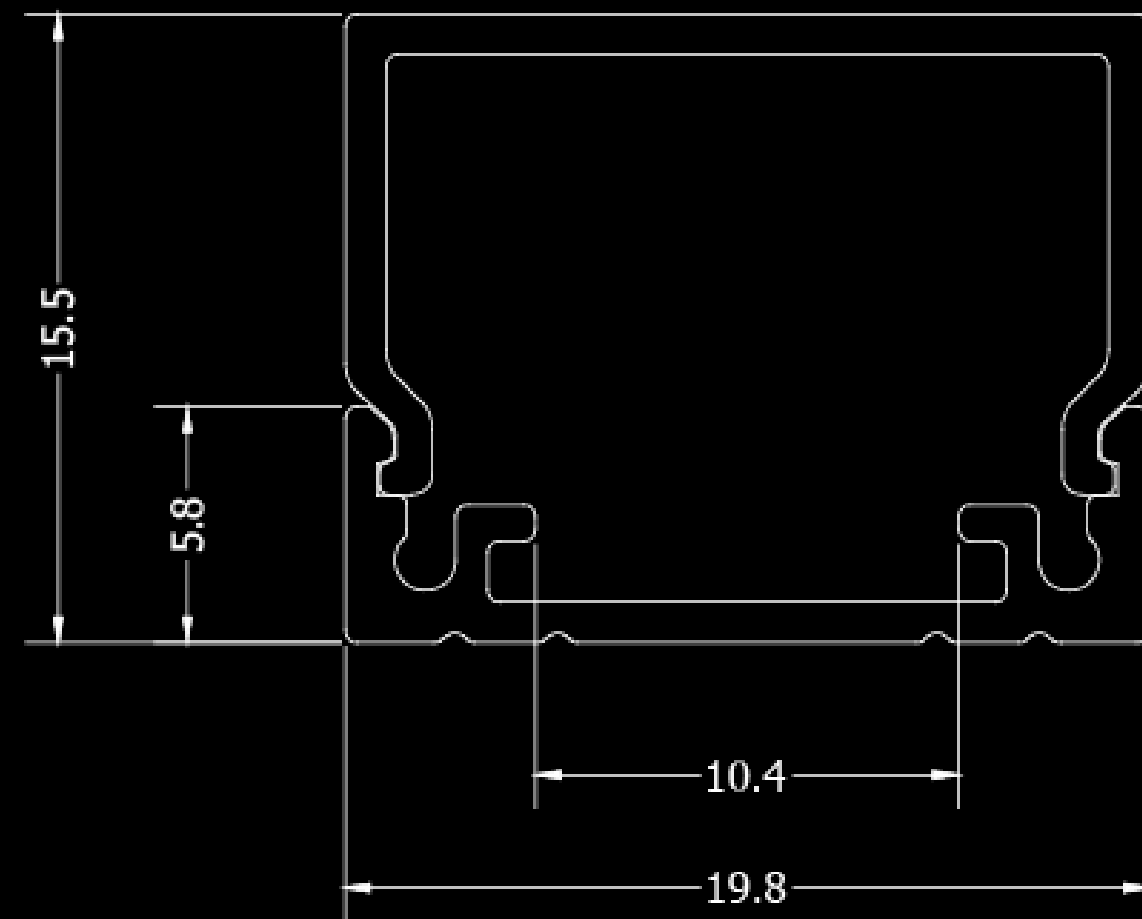


# JOINERY RANGE

SHELF MOUNTING: SURFACE  
**JPF016**

APPLICATION:

Horizontal/vertical cupboard and cabinet shelves

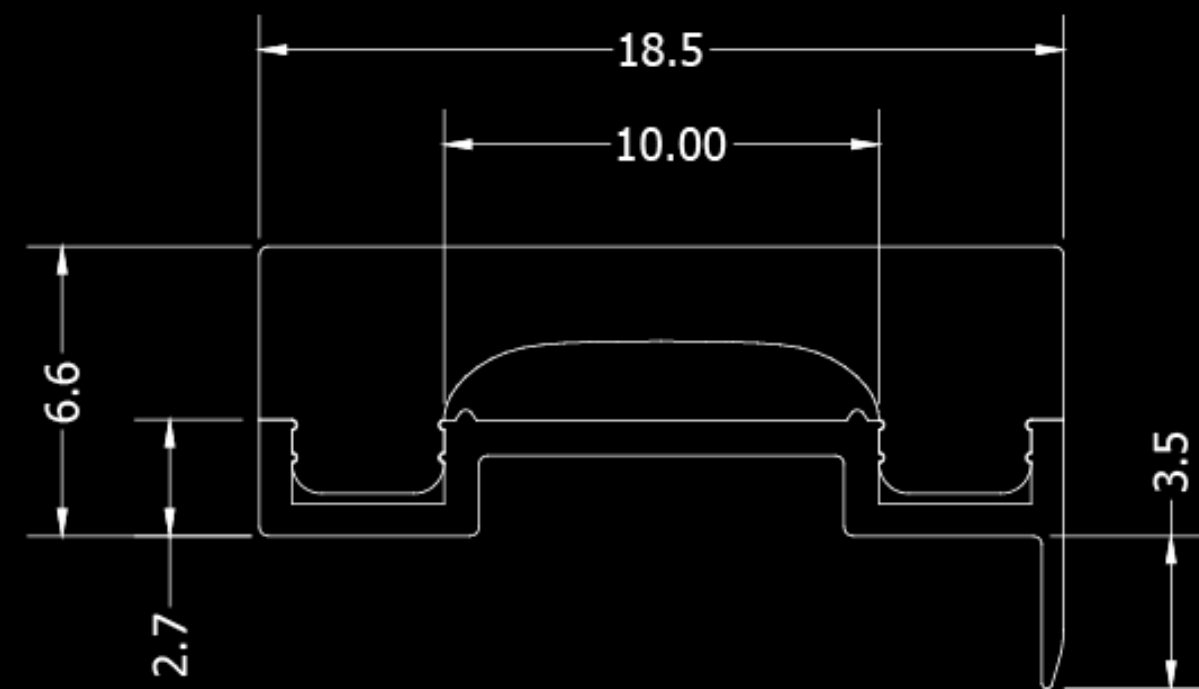




# JOINERY RANGE

SHELF MOUNTING: EDGE  
JPF009

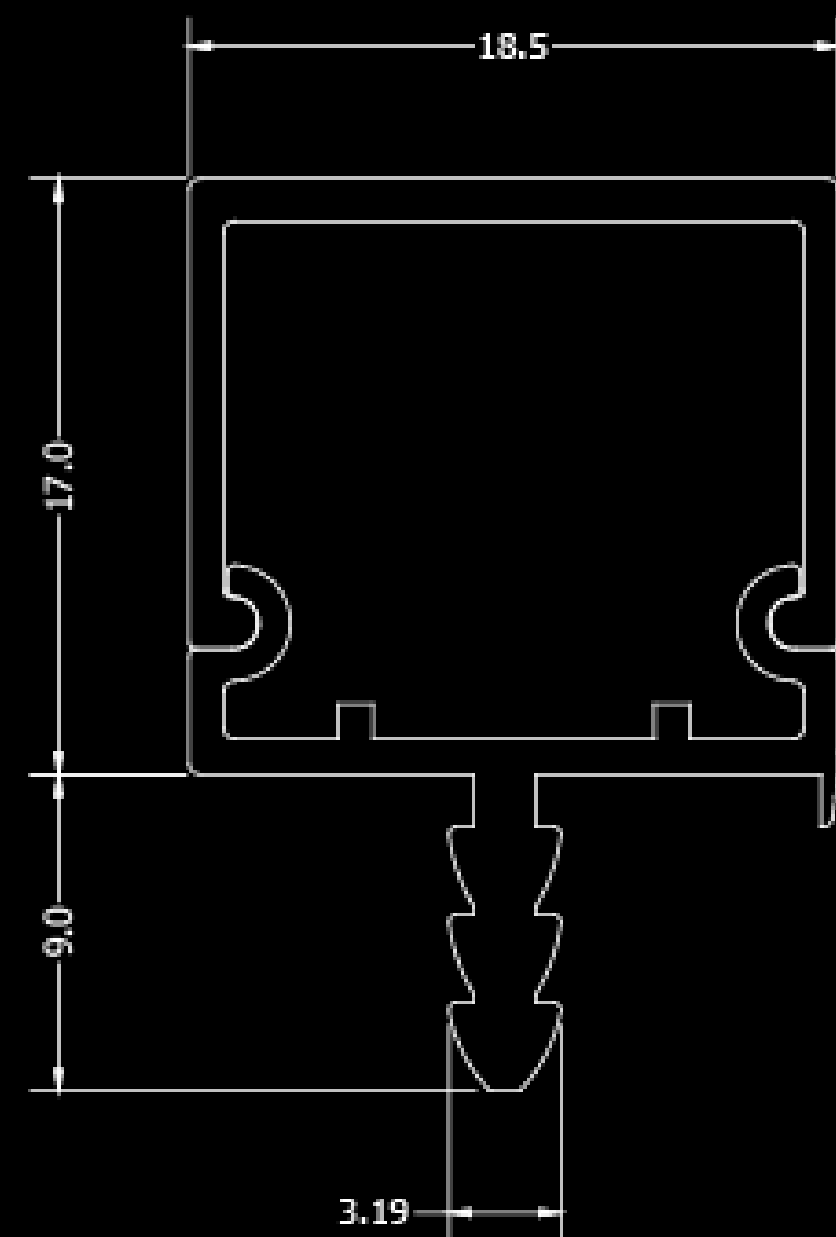
APPLICATION:  
Horizontal cupboard and cabinet shelves



# JOINERY RANGE

SHELF MOUNTING: EDGE  
JPF008

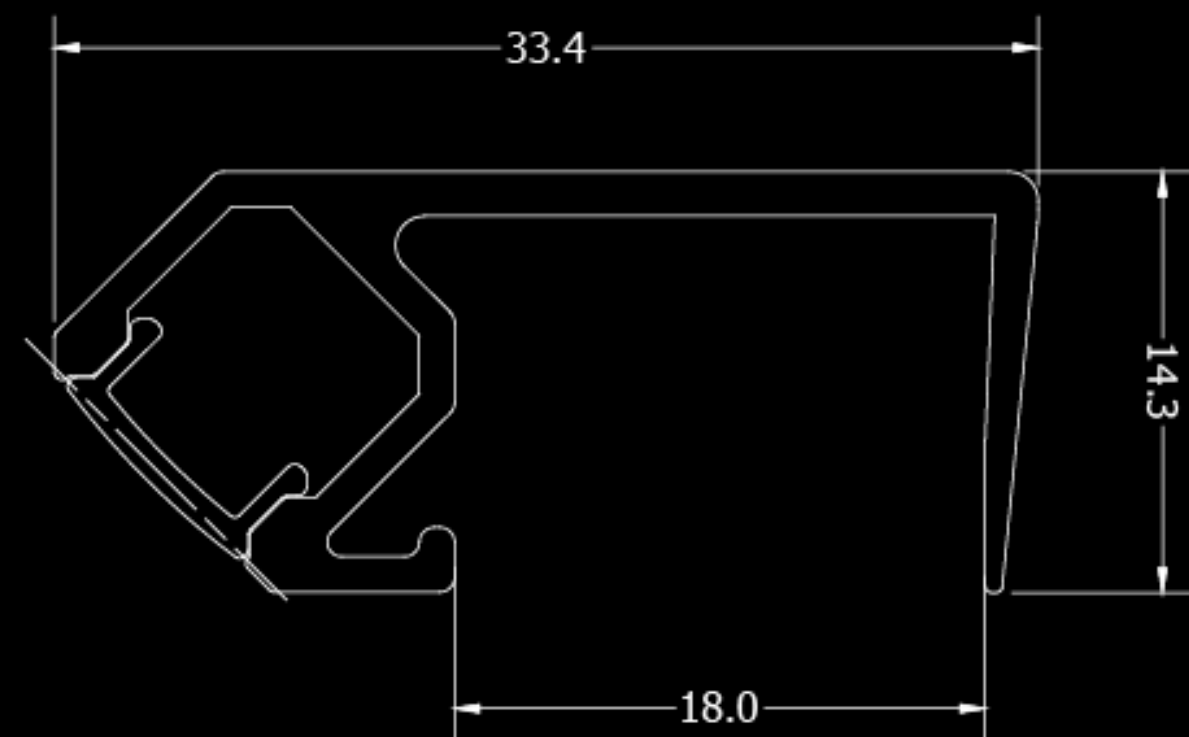
APPLICATION:  
Horizontal cupboard and cabinet shelves



# JOINERY RANGE

SHELF MOUNTING: EDGE  
JPF006

APPLICATION:  
Horizontal/vertical cupboard and  
cabinet shelves



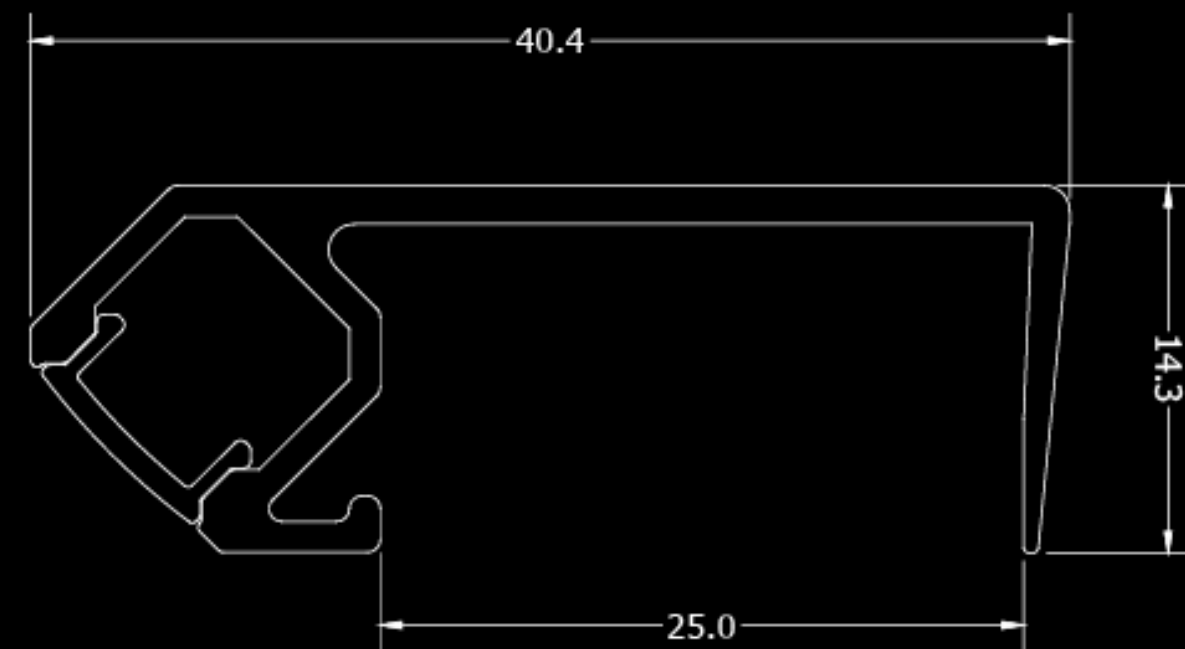


## JOINERY RANGE

SHELF MOUNTING: EDGE  
JPF007

APPLICATION:

Horizontal/vertical cupboard and  
cabinet shelves

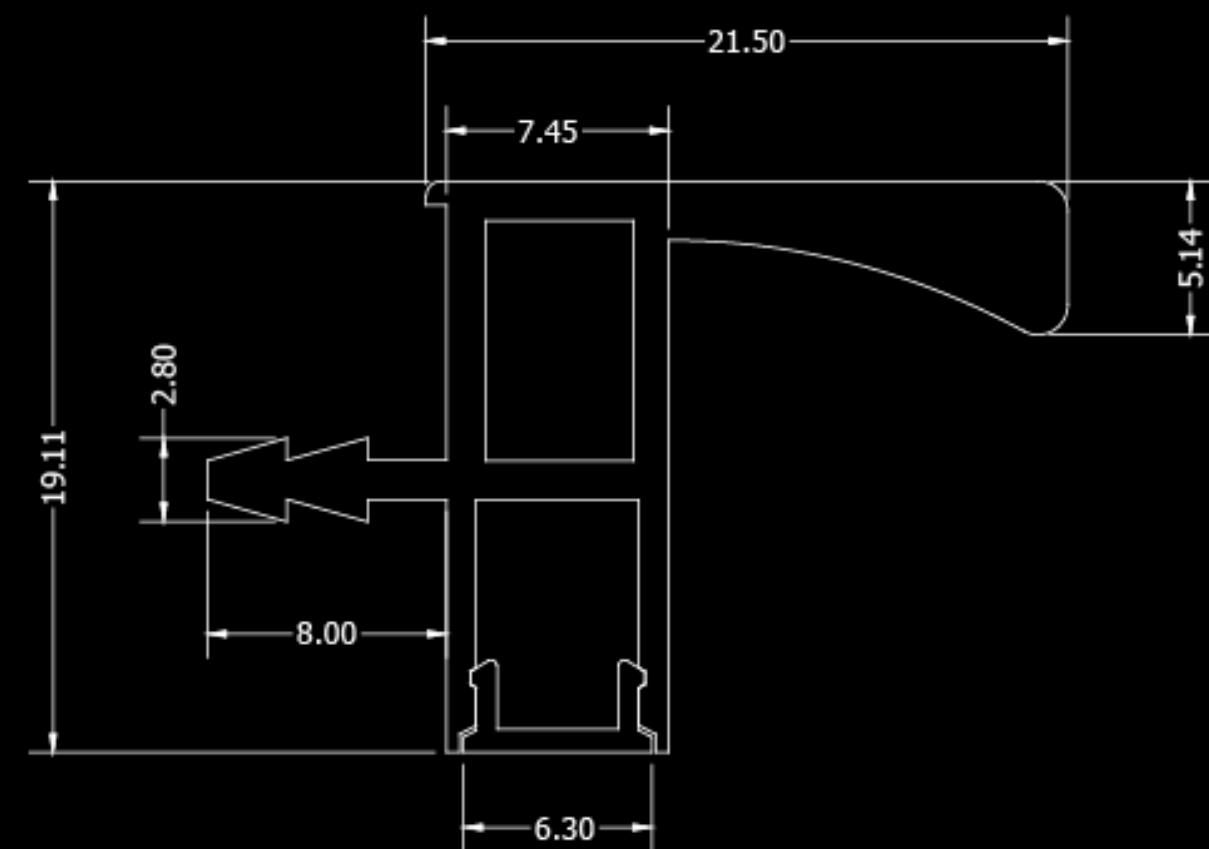


# JOINERY RANGE

## HANDLE-FREE CABINET MOUNTING JPF011

### APPLICATION:

Horizontal cupboard and cabinet shelves

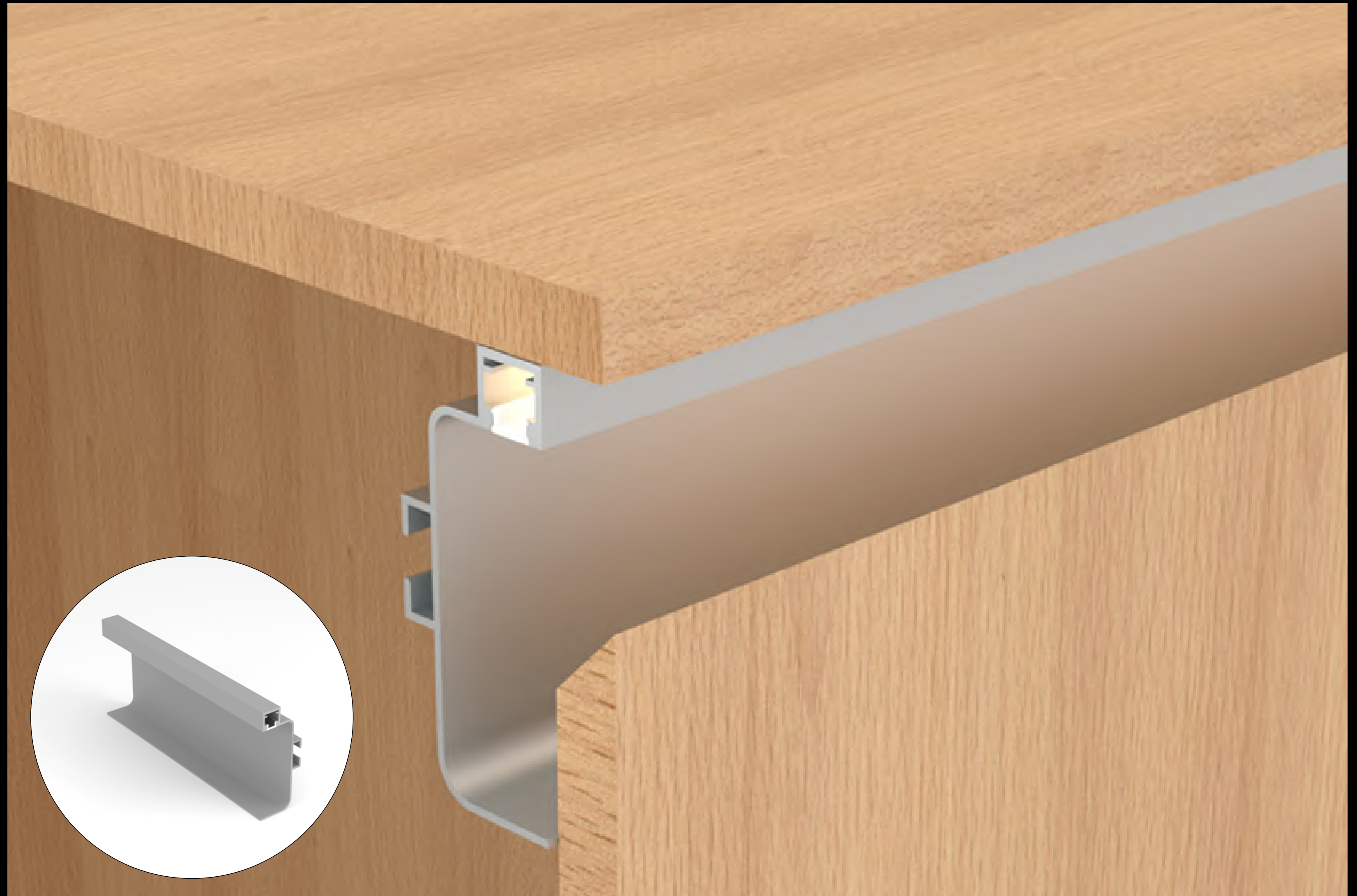
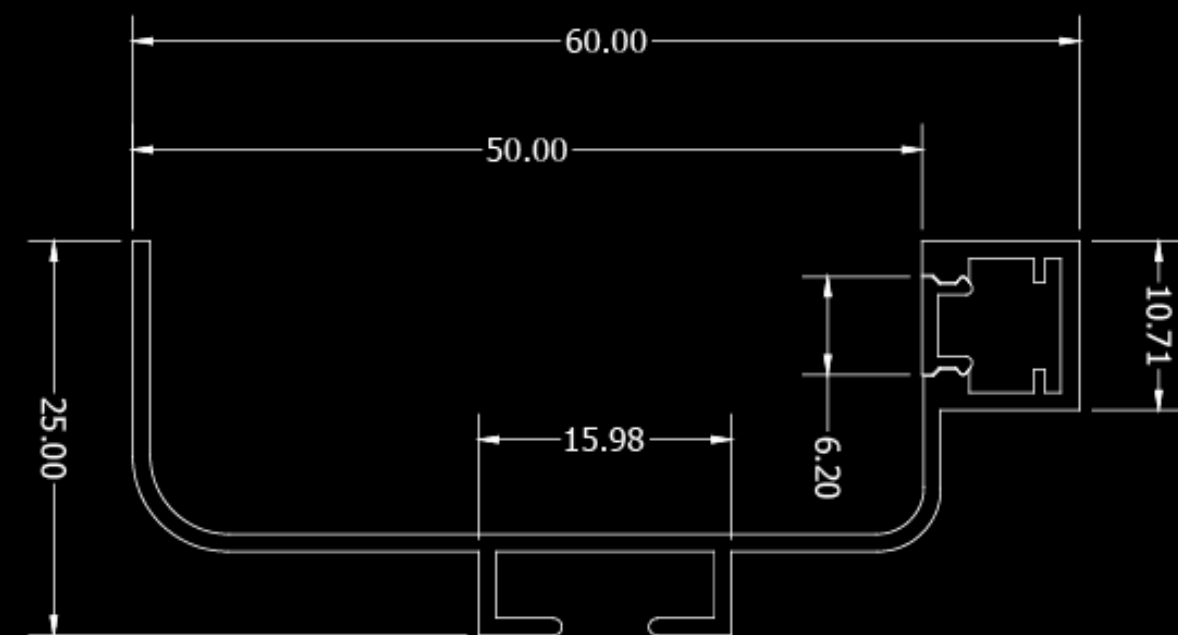


# JOINERY RANGE

## HANDLE-FREE CABINET MOUNTING JPF012

### APPLICATION:

Horizontal/vertical cupboard and cabinet shelves

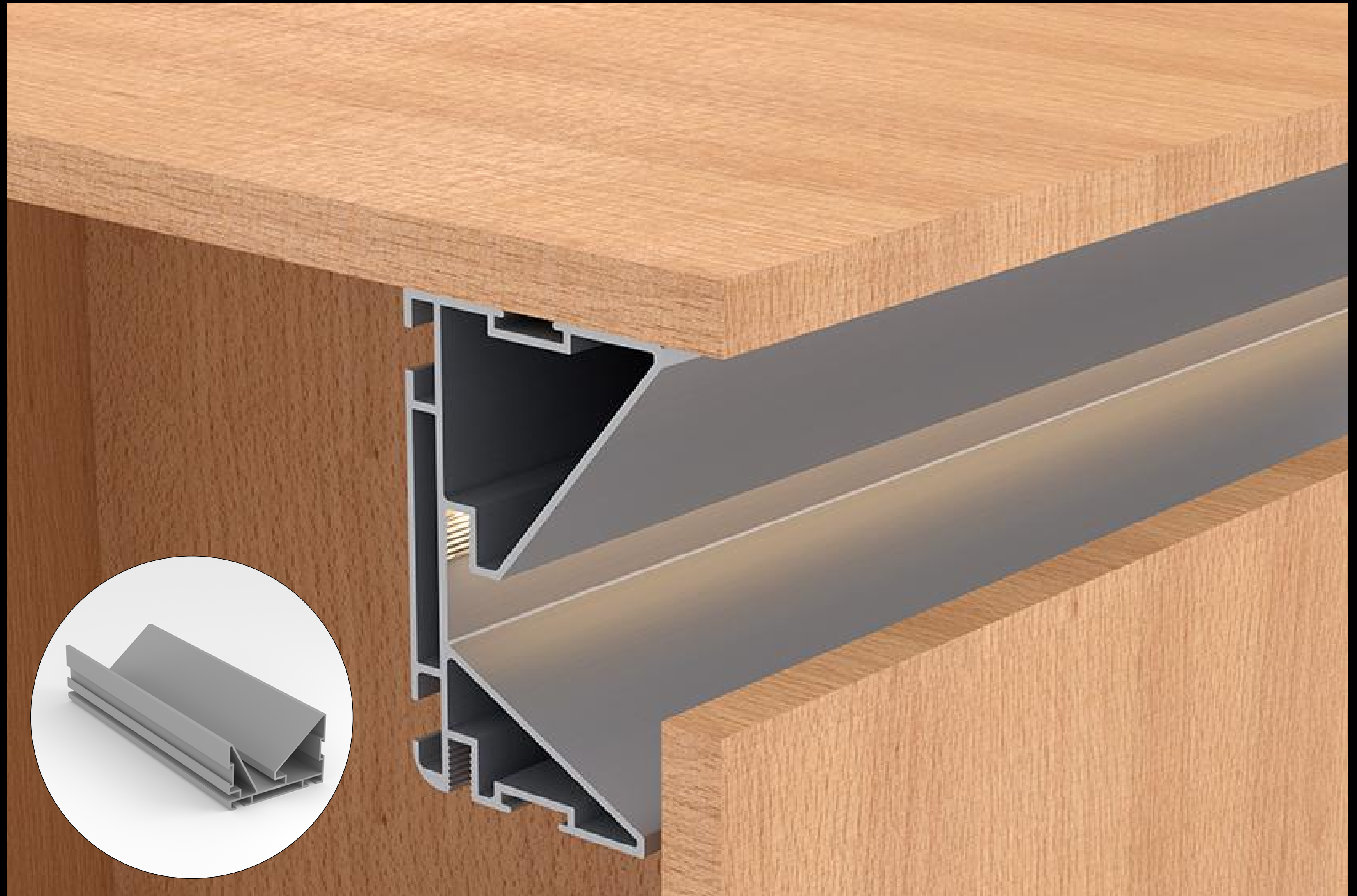
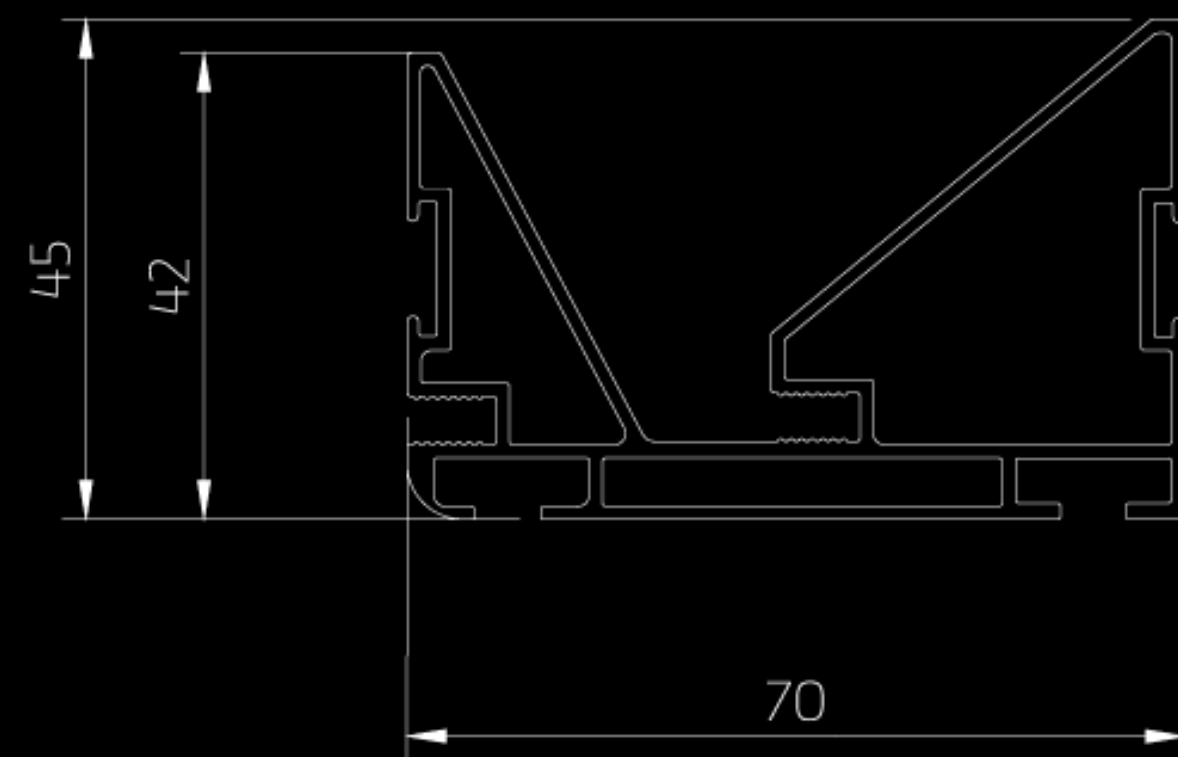




# JOINERY RANGE

## HANDLE-FREE CABINET MOUNTING JPF015

APPLICATION:  
Cabinet Island

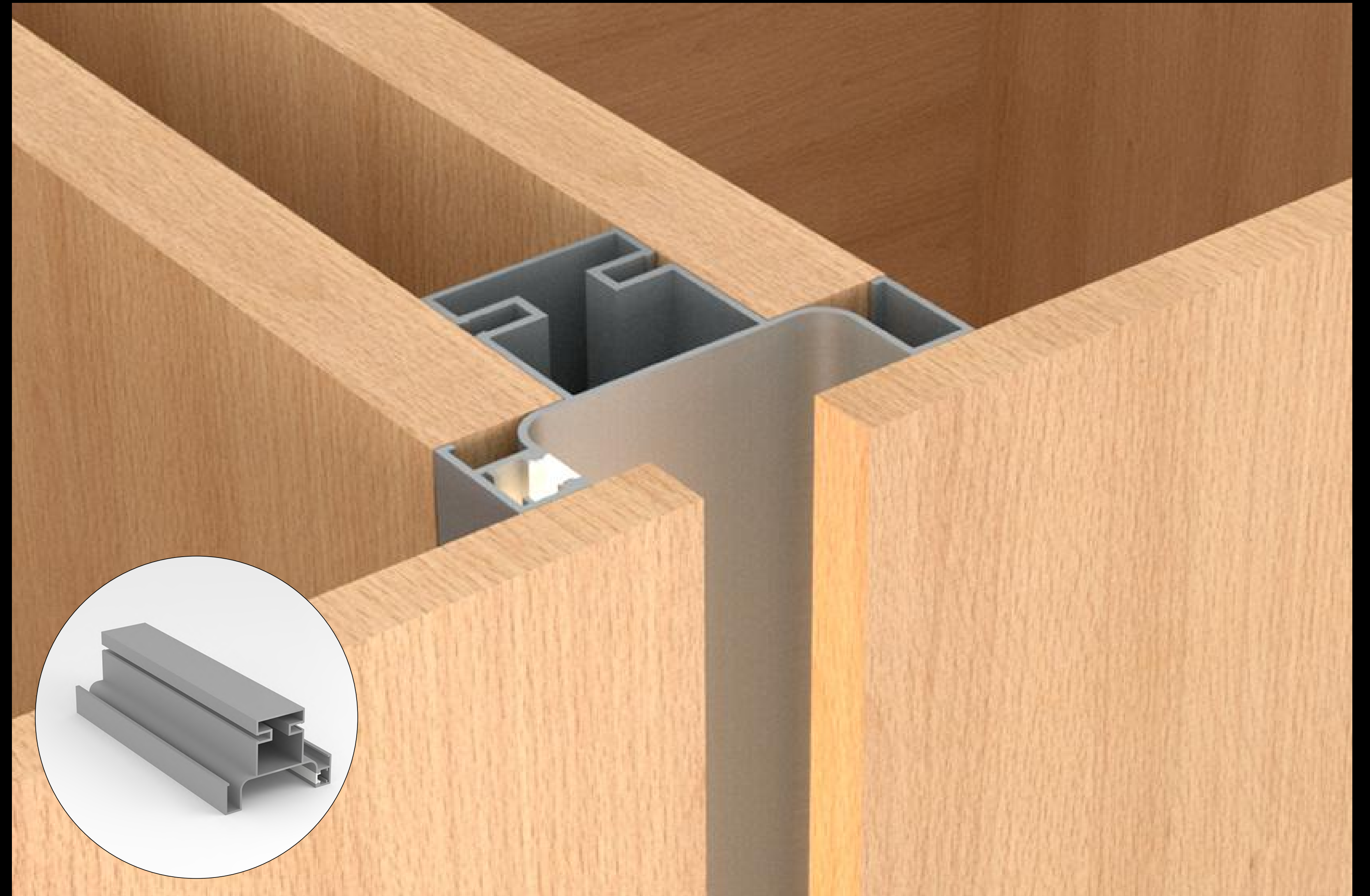
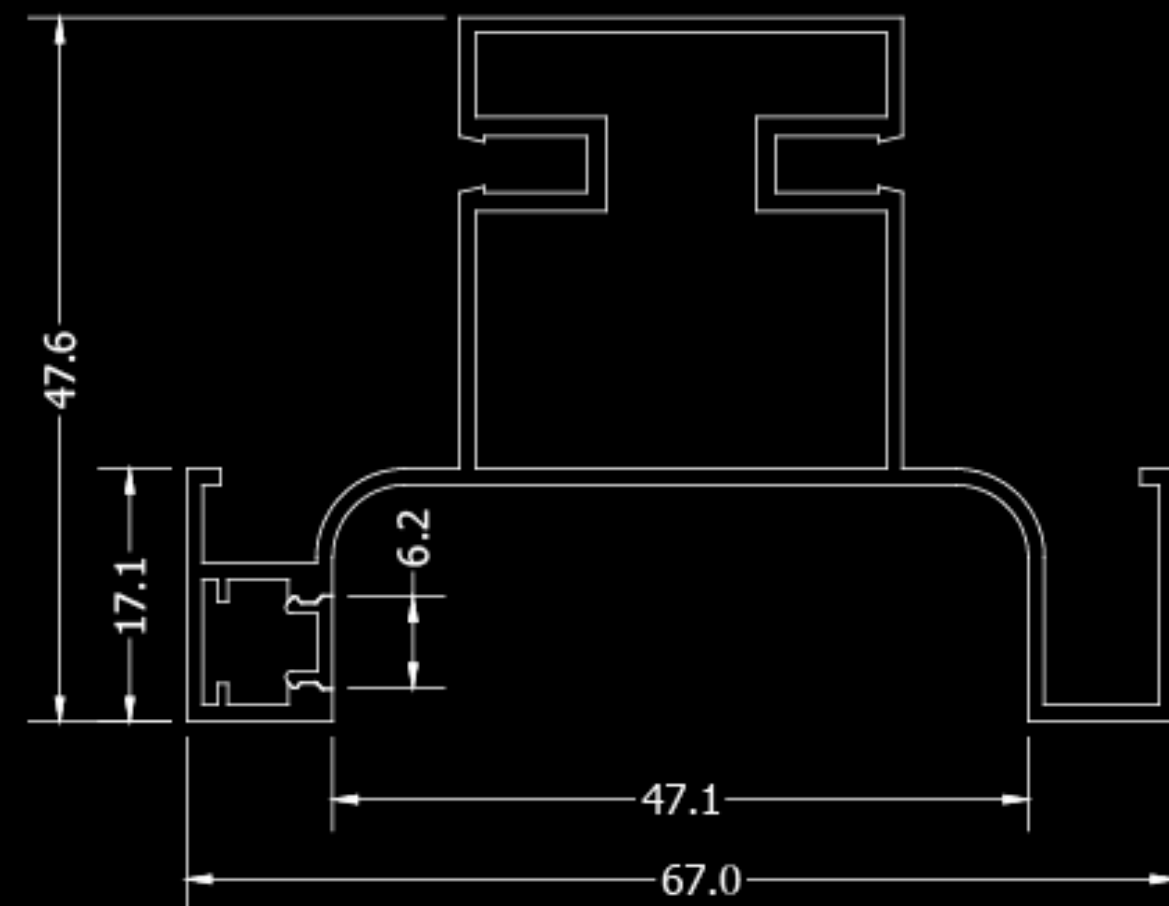


# JOINERY RANGE

## HANDLE-FREE CABINET MOUNTING JPF014

### APPLICATION:

Vertical cupboard and cabinet shelves

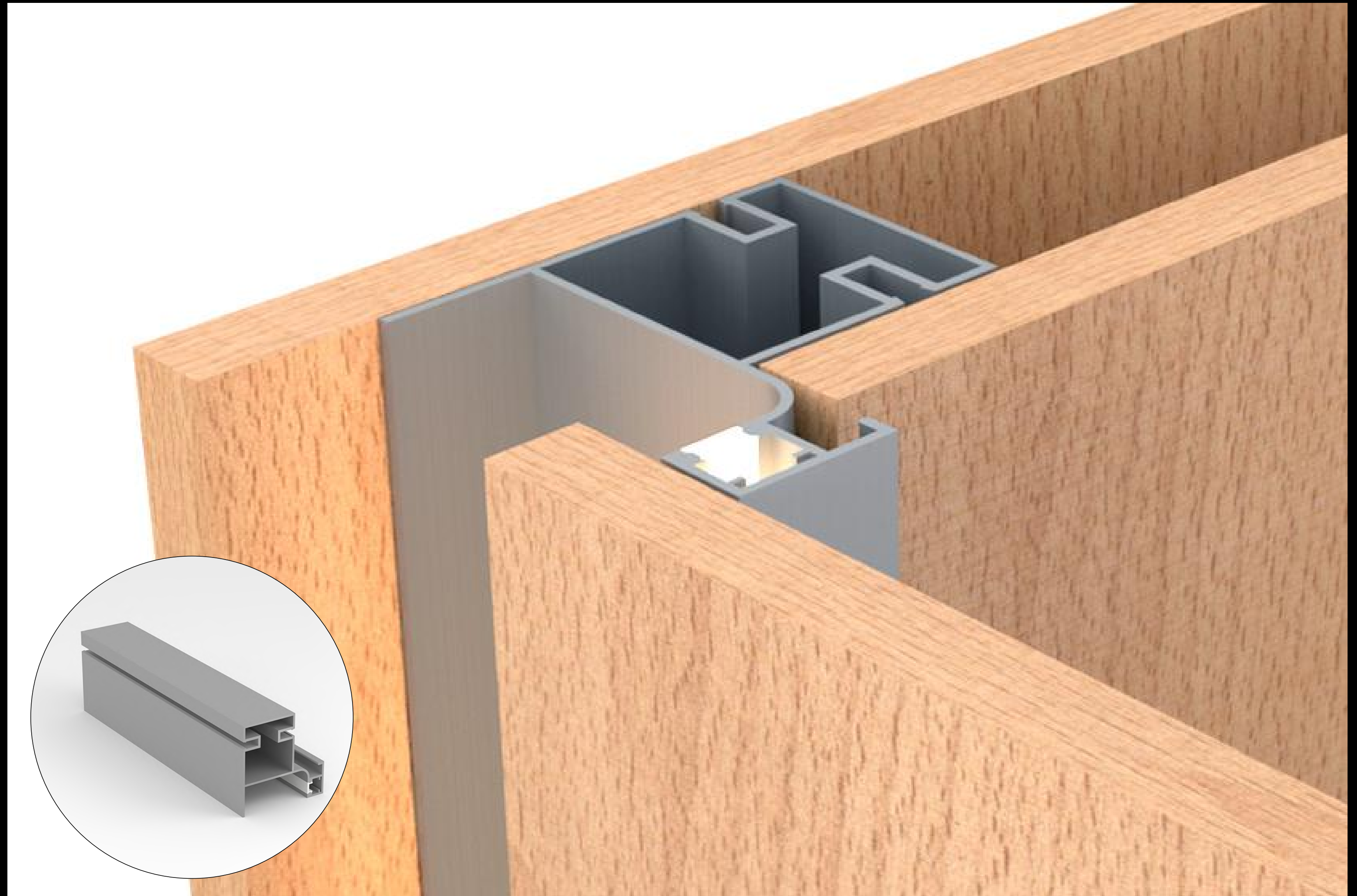
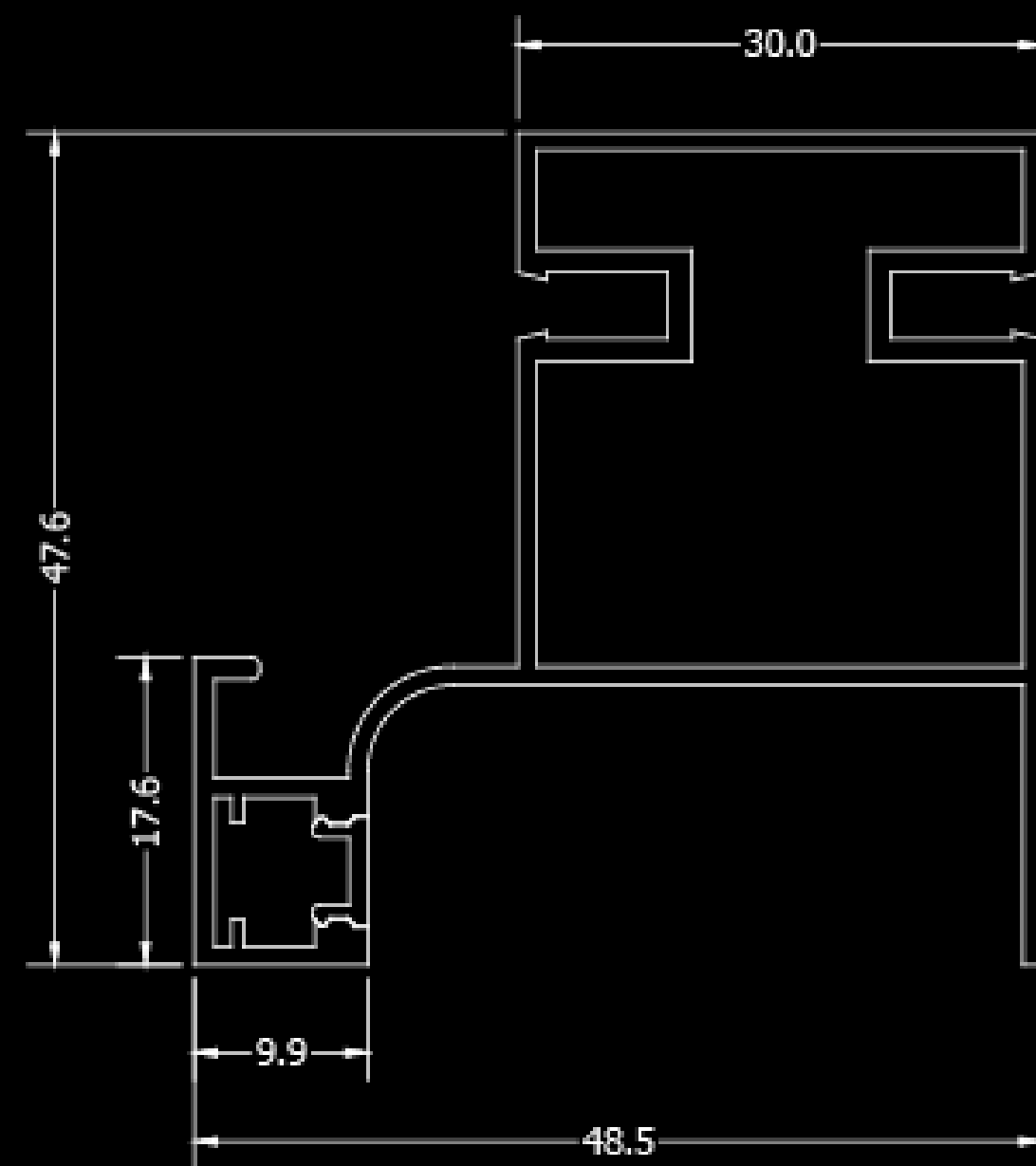


# JOINERY RANGE

## HANDLE-FREE CABINET MOUNTING JPF013

### APPLICATION:

Vertical cupboard and cabinet shelves

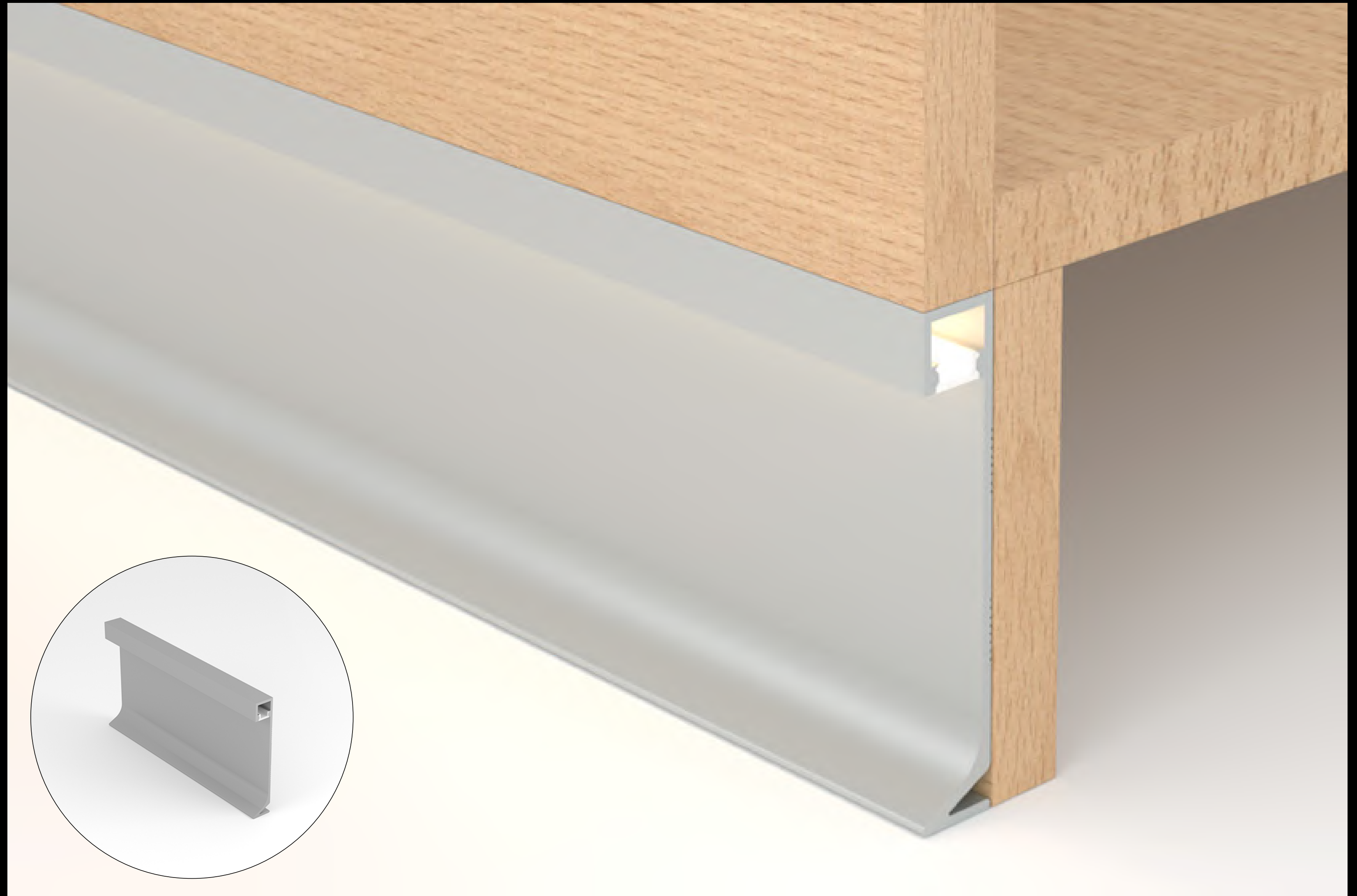
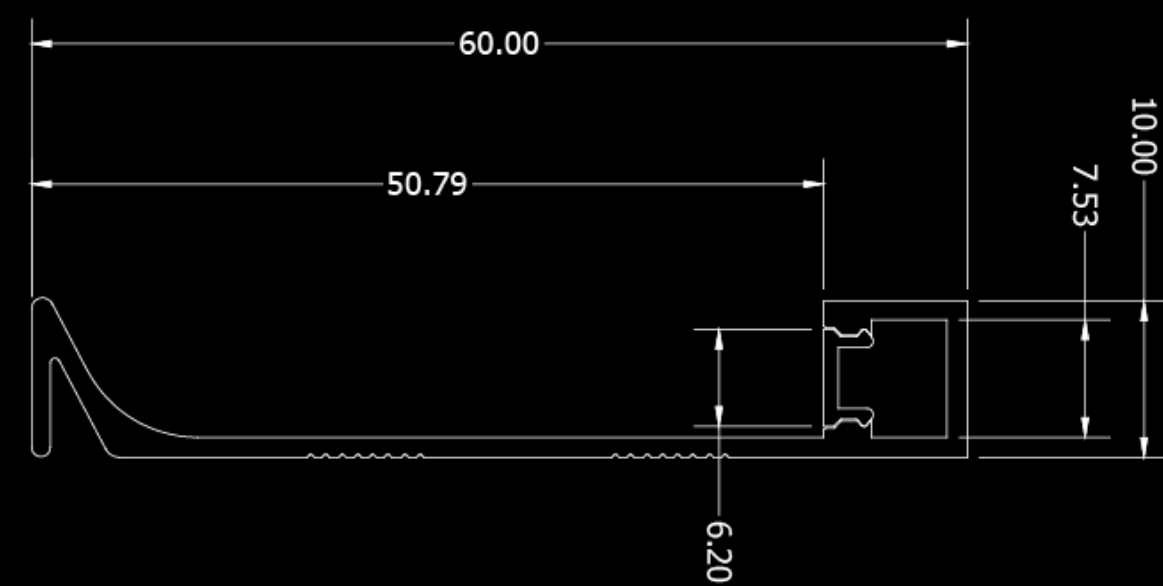




# JOINERY RANGE

## SKIRT MOUNTING JPF019

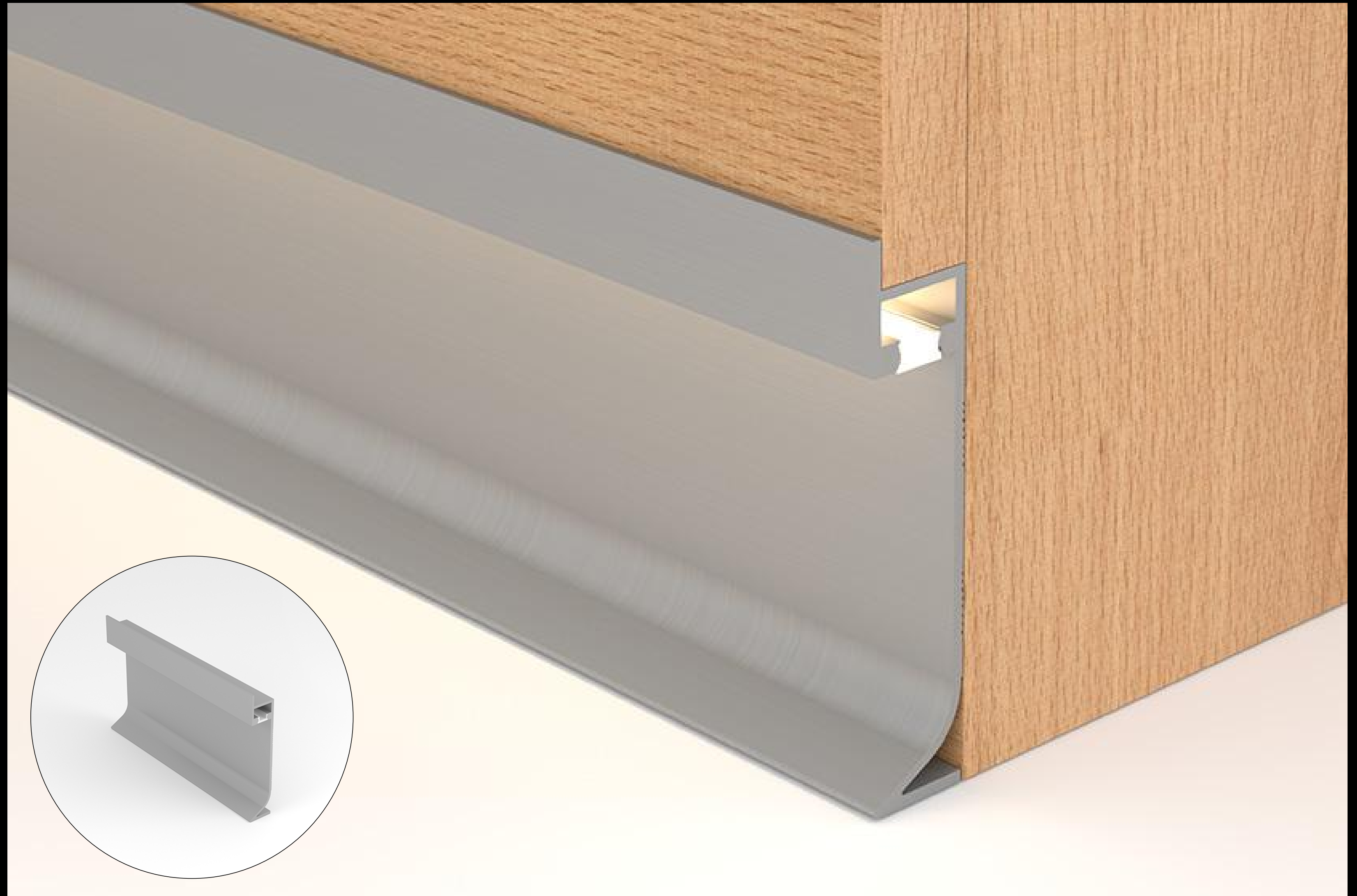
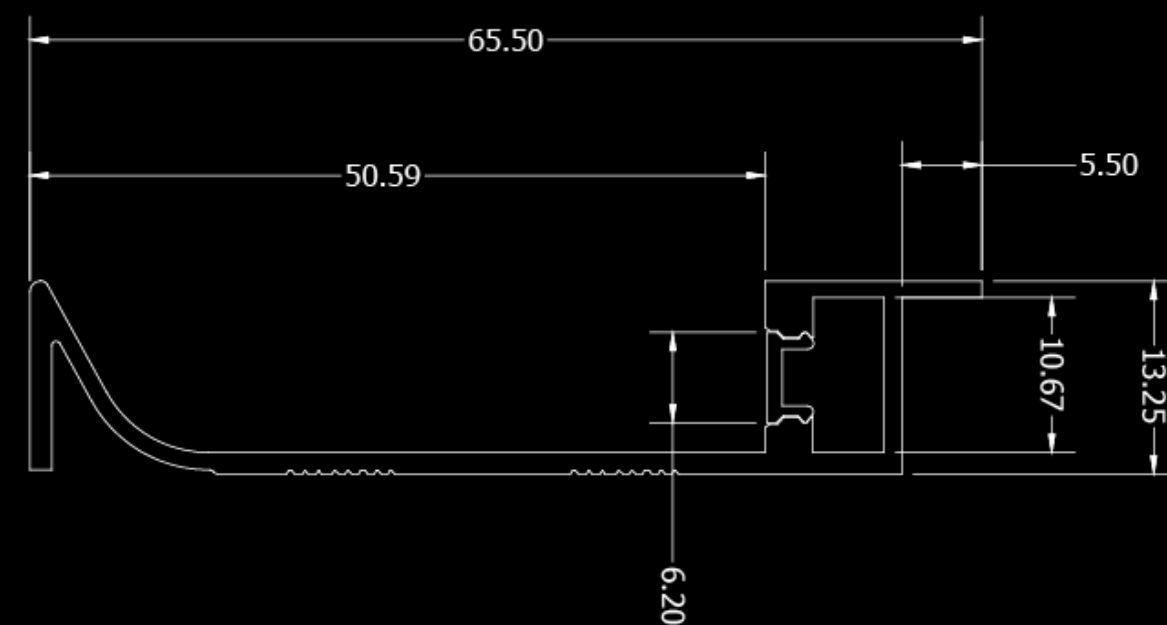
APPLICATION:  
Wall base lighting



# JOINERY RANGE

## SKIRT MOUNTING JPF018

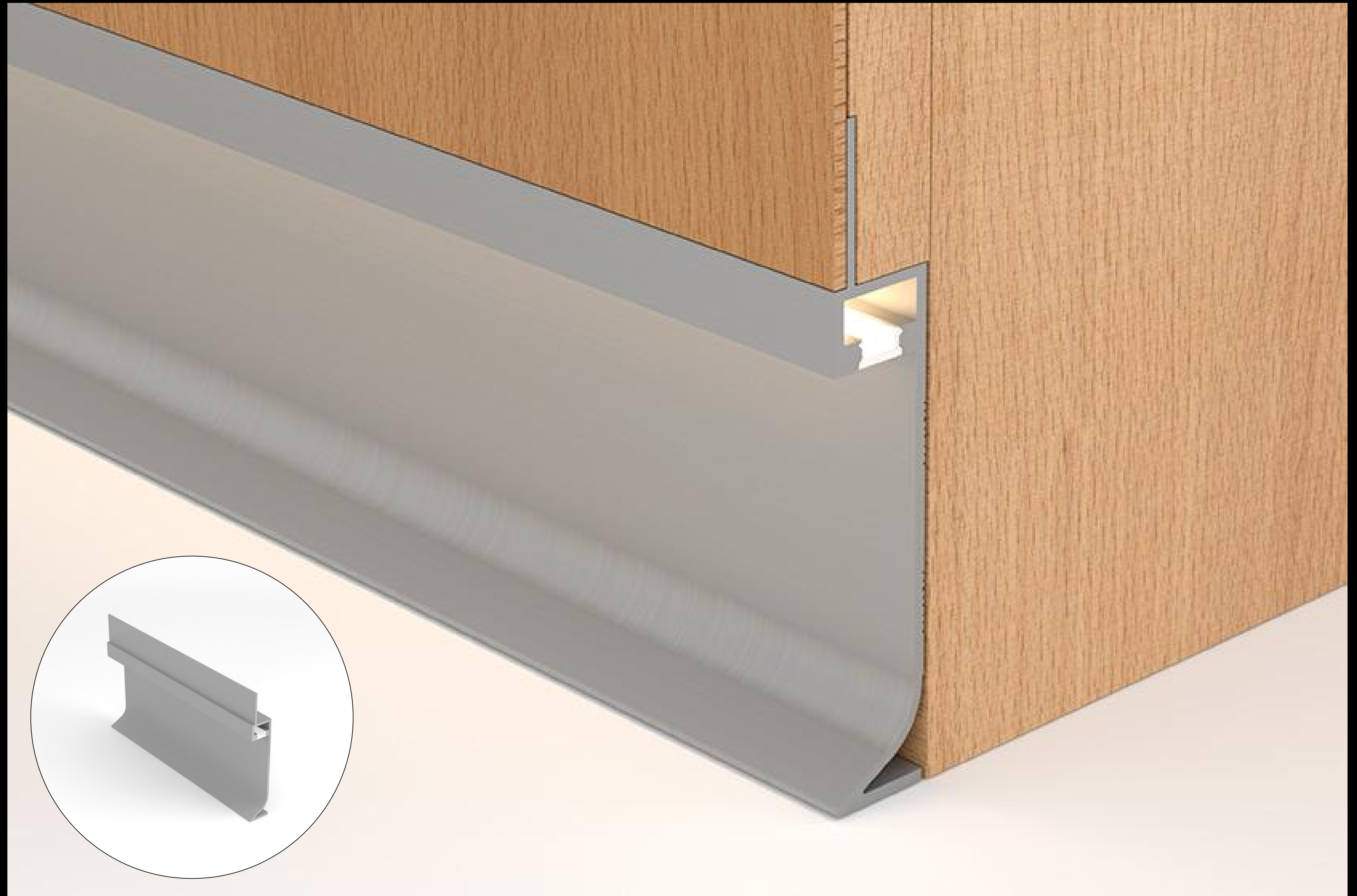
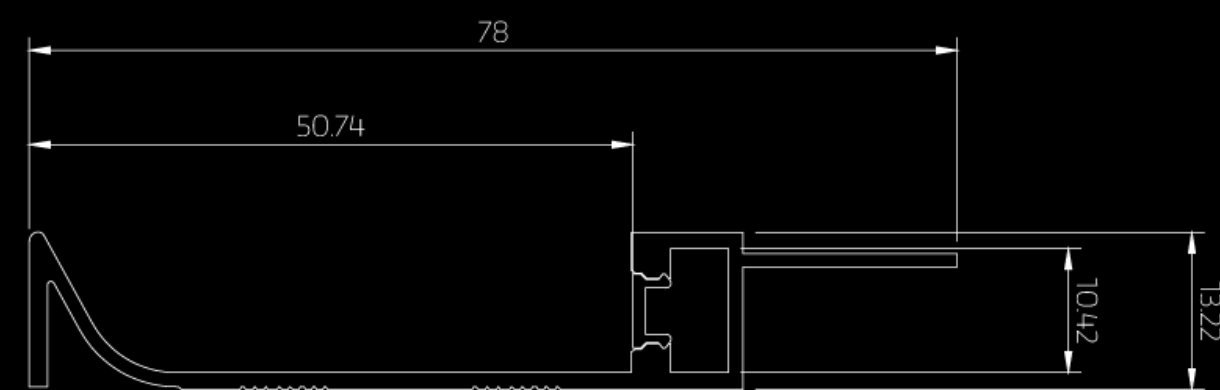
APPLICATION:  
Wall base lighting



# JOINERY RANGE

## SKIRT MOUNTING JPF017

APPLICATION:  
Wall base lighting





**LED**FLEX | **PREMIUM LINEAR**  
LIGHTING SOLUTIONS